

Thermal Fuse Wire-Wound Resistors

Performance Specification

Temperature Coefficient	±350PPM/°C
Short Time Overload	±(5%+0.05Ω) Max, with no evidence of mechanical damage.
Temperature Cycling	±(5%+0.05Ω) Max, with no evidence of mechanical damage.
Thermal Shock	±(2%+0.05Ω) Max, with no evidence of mechanical damage.
Load Life	±(5%+0.05Ω) Max, with no evidence of mechanical damage.
Load Life in Humidity	±(5%+0.05Ω) Max, with no evidence of mechanical damage.

Ordering Procedure: Ex.: ASSY, 12V, 216°C, 10A, +/- 10%, 0.5Ω+0.5Ω

A S S Y 1 D K 2 B 0 0 B 0 A

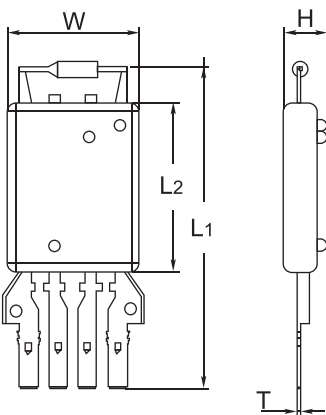
Type: ASSY = ASSY	Voltage: 1 = 12V	Cut off temp: A = 92°C B = 167°C C = 184°C D = 216°C E = 227°C F = 240°C	Tolerance: K = ±10%	Schematic style and resistance: 2A00 = 2 resistors circuit A 2B00 = 2 resistors circuit B 3A00 = 3 resistors circuit A 3B00 = 3 resistors circuit B 3C00 = 3 resistors circuit C	Packing Type: B = Bulk/Box	Packing Qty: 0 = Bulk/Box	Current rating: A = 10A B = 2A
----------------------	---------------------	--	------------------------	---	-------------------------------	------------------------------	--------------------------------------

Features

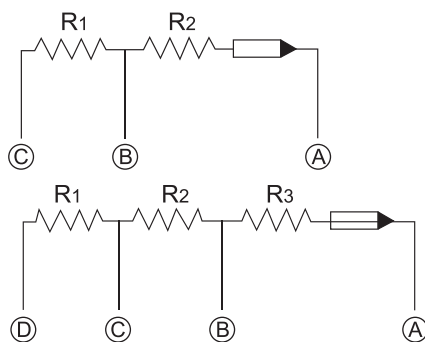
- Quality Non-Flame coating
- Too Low or too high value can be supplied
- Self extinguishing
- Other type of schematic can be supplied



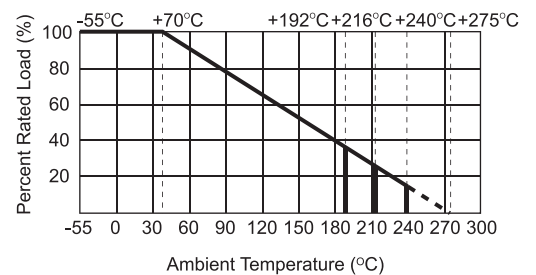
Dimension (MM)



Circuit



Derating Curve



Type	L1±3	L2±3	W±3	H (Max)	T±0.2	Resistance Range
ASSY 4 Terminal	74	43	39	13	0.8	0.1Ω ~ 10Ω
ASSY 5 Terminal	80	43	34	13	0.8	0.1Ω ~ 10Ω