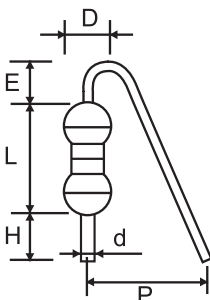


Formed Type

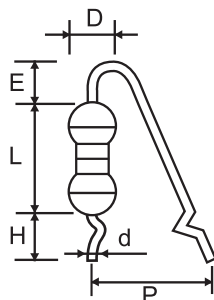
Ordering Procedure: Ex.: CFR 2W-S, +/-5%, 100Ω, B/B, F1 Type

<b>C</b>	<b>F</b>	<b>R</b>	<b>0</b>	<b>2</b>	<b>S</b>	<b>J</b>	<b>0</b>	<b>1</b>	<b>0</b>	<b>1</b>	<b>B</b>	<b>F</b>	<b>1</b>
<b>Resistor Type:</b> CFR = Carbon Film MF = Metal Film MOR = Metal Oxide Film FRN = Fusible Film KNP = Wire-Wound			<b>Wattage:</b> Normal size: W2 = 1/2W 1W = 1W 2W = 2W 3W = 3W 5W = 5W			<b>Resistance Value:</b> <ul style="list-style-type: none"> <li>E-24 series: 1<sup>st</sup> digit is "0" 2<sup>nd</sup> &amp; 3<sup>rd</sup> digits are the significant figures of the resistance 4<sup>th</sup> digit indicates the number of zeros.</li> <li>E-96 series: 1<sup>st</sup> to 3<sup>rd</sup> digits are the significant figures of the resistance and the 4<sup>th</sup> digit indicates the number of zeros.</li> </ul>			<b>Packing Type:</b> B = Bulk/Box				
<b>Special Feature</b> 0 = Standard Product F = Non-Flame I = Non-Inductive			<b>Small size</b> 1S = 1W-S 2S = 2W-S 3S = 3W-S 5S = 5W-S			<b>Tolerance:</b> F = ±1% G = ±2% J = ±5% K = ±10%			<b>Forming type:</b> F0 = F Type F1 = F1 Type F2 = F2 Type F3 = F3 Type				
<b>Note:</b> * More explanation of part no. please see details on pages 89-90												MF = M Type with flattened lead wire MK = M Type with kinked lead wire ML = M Type with normal lead wire	
												T0 = T Type	

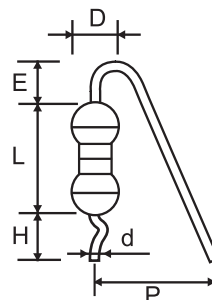
F-Type Series Forming Dimension (mm)



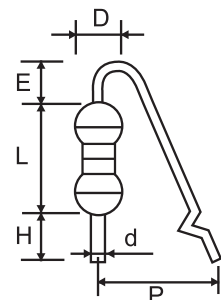
F Type



F1 Type



F2 Type

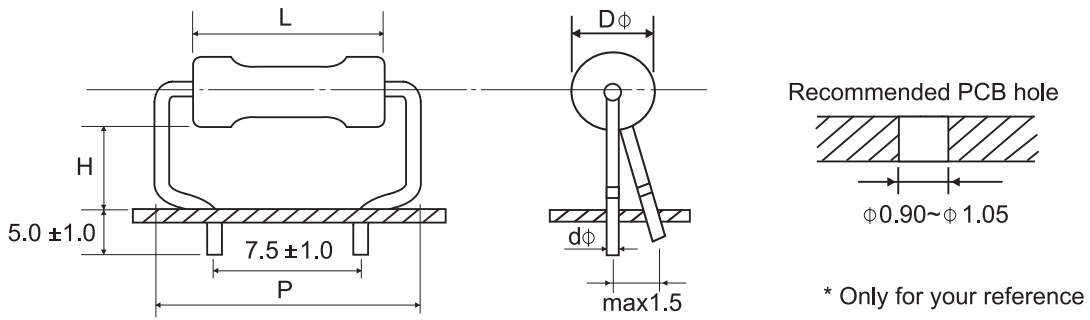


F3 Type

Power Rating at 70°C	Dimension (mm)					
	D Max	L Max	d±0.05	P + 1 - 3	H±1	E±0.5
1W (2W-S)	5.0	12	0.70	8	6	2.5
2W (3W-S)	5.5	16	0.70	8	6	2.5

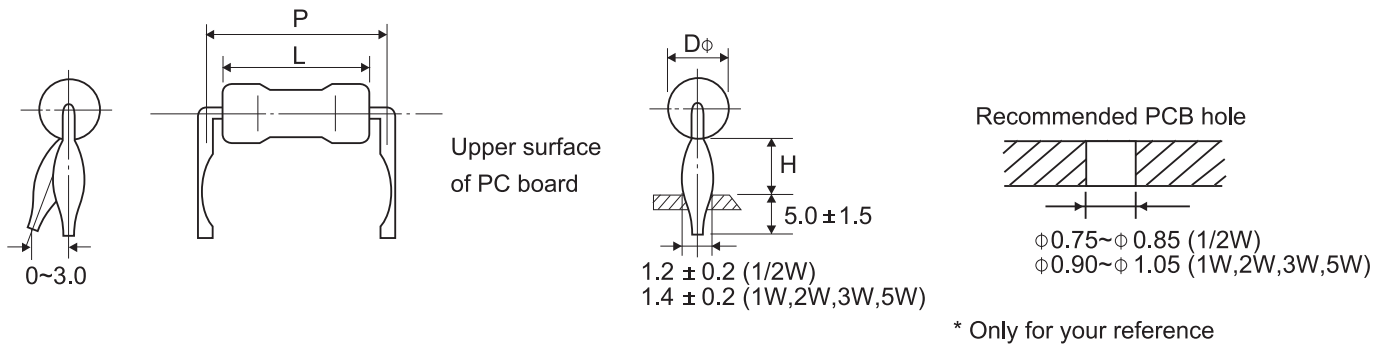
Formed Type

T-Type Series Forming Dimension (mm)



Power Rating at 70°C	Dimension (mm)				
	D Max	L Max	d±0.05	P Max	H +1 -0
1W-S	3.5	10	0.70	12.5	8
1W (2W-S)	5.0	12	0.70	15	8
2W (3W-S)	5.5	16	0.70	20	9

M-Type Series Forming Dimension (mm)



Power Rating at 70°C	Dimension (mm)				
	D Max	L Max	H±2	P	d±0.05
<b>Normal Size</b>					
1/2W	3.5	10.0	7.0	12.5 ±1.5	0.70
1W	5.0	12.0	7.0	15.0 ±1.5	0.70
2W	5.5	16.0	10.0	20.0 ±2.0	0.70
3W	6.5	17.5	12.0	25.0 ±2.0	0.75
5W	8.5	26.0	12.0	31.0 ±2.0	0.75
<b>Small Size</b>					
1W-S	3.5	10.0	7.0	12.5 ±1.5	0.70
2W-S	5.0	12.0	7.0	15.0 ±1.5	0.70
3W-S	5.5	16.0	10.0	20.0 ±2.0	0.70
5W-S	8.0	25.0	12.0	31.0 ±2.0	0.75