

Aluminum Case High Power Wire-Wound Resistors

Performance Specification

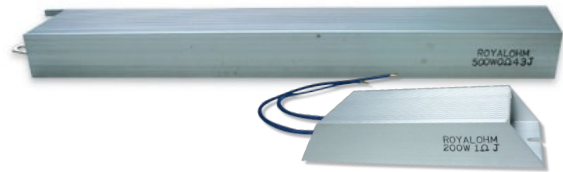
Temperature Coefficient	±350PPM/°C
Short Time Overload	±(2.0% + 0.05Ω)Max, with no evidence of mechanical damage.
Dielectric Withstanding Voltage	No evidence of mechanical damage.
Temperature Cycling	±(2.0% + 0.05Ω)Max, with no evidence of mechanical damage.
Humidity (Steady state)	±(5.0% + 0.05Ω)Max, with no evidence of mechanical damage.
Load Life in Humidity	±(5.0% + 0.05Ω)Max, with no evidence of mechanical damage.
Load Life	±(5.0% + 0.05Ω)Max, with no evidence of mechanical damage.

Ordering Procedure: Ex.: HEWR, 200W, +/-5%, 180Ω

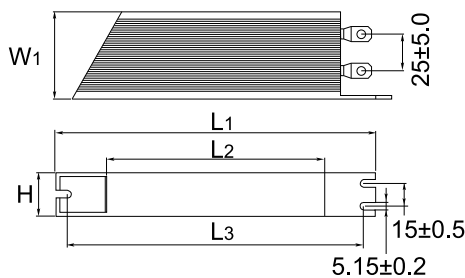
<p>H E W R B 0 J</p> <p>Type: HEWR = HEWR HBWR = HBWR</p>	<p>0 1 8 1 2 0 0</p> <p>Resistance Value: • E-24 series: 1st digit is "0" 2nd & 3rd digits are the significant figures of the resistance 4th indicates the number of zeros "J" ~ 0.1, "K" ~ 0.01 Ex. 4.7Ω ~ 47J, 4.7KΩ ~ 472</p>	<p>Wattage: 060 = 60W 080 = 80W 100 = 100W 200 = 200W 300 = 300W 400 = 400W 500 = 500W 600 = 600W A00 = 1000W</p>	<p>Connector style: A0 = Terminal type B0 = Cable type</p>
<p>Tolerance: J = ±5% K = ±10%</p>			

Features

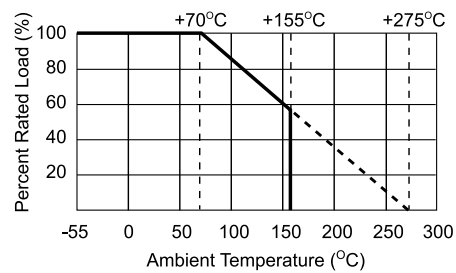
- High Power and Excellent Load Life stability
- Good resistance to moisture solvent and insulation
- High Surge resistance item available
- Application: Breaking resistor, Elevator



HBWR



Derating Curve

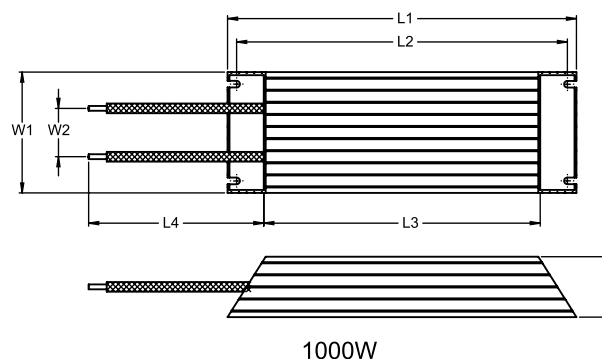
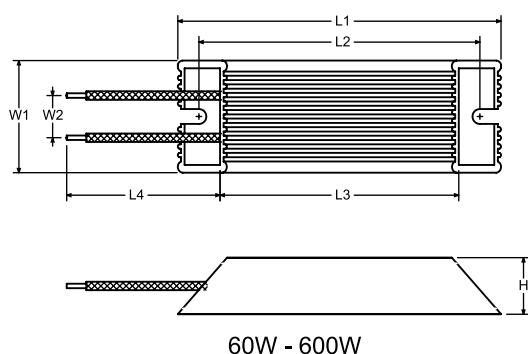


Power	L1±2	L2±2	L3±2	W1±2	H±2	Resistance Range
200W	190	160	165	30	60	1Ω ~ 7KΩ
300W	240	210	215	30	60	1Ω ~ 8KΩ
400W	290	260	265	30	60	0.5Ω ~ 10KΩ
500W	360	330	335	30	60	0.5Ω ~ 12KΩ
600W	360	330	335	30	60	0.5Ω ~ 12KΩ

Aluminum Case High Power Wire-Wound Resistors

Features

HEWR



Power	L1±2	L2±2	L3±2	L4 ±10	W1±2	W2±5	H±2	Resistance Range
60W	115	100	80	190	40	15	20	2Ω ~ 2.5KΩ
80W	140	125	105	200	40	15	20	1Ω ~ 3KΩ
100W	140	125	100	240	60	25	30	1Ω ~ 4KΩ
100W-S	165	150	125	240	40	15	20	1Ω ~ 4KΩ
120W	190	175	150	240	40	15	20	1Ω ~ 5KΩ
150W	215	200	175	240	40	15	20	1Ω ~ 6KΩ
200W	165	150	125	255	60	25	30	1Ω ~ 7KΩ
300W	215	200	175	255	60	25	30	1Ω ~ 8KΩ
400W	265	250	225	255	60	25	30	0.5Ω ~ 10KΩ
500W	335	320	295	255	60	25	30	0.5Ω ~ 12KΩ
600W	335	320	295	255	60	25	30	0.5Ω ~ 12KΩ
1000W	400	385	340	255	100	25	50	1Ω ~ 15KΩ

Note: Cable and Terminal Type are available for Both HEWR and HBWR