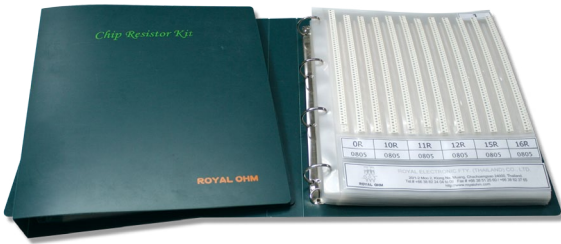


Kit Resistors



Chip Kit



Coated Kit

Ordering Procedure: Ex: 0603, 1/16W, +/-1%, E-6 series, Chip Kit Resistors

0 6 0 3 W G F E 0 0 6 K I T

Resistor Size:

- Chip type:
0402, 0603, 0805, 1206, 2512
- Coated type:
Carbon Film Fixed Resistors
(see page 25 for boxes no.1st - 7th)
Metal Film Fixed Resistors
(see page 28 for boxes no.1st - 7th)

Wattage:

- Normal:
WG = 1/16W
WA = 1/10W
W8 = 1/8W
W4 = 1/4W
W2 = 1/2W
1W = 1W
- Small size:
SA = 1/10WS
S8 = 1/8WS
S4 = 1/4WS
S2 = 1/2WS

Resistance value:

- For Kit Resistors
E006 = E-6 Series
E012 = E-12 Series
E024 = E-24 Series

Special Feature:

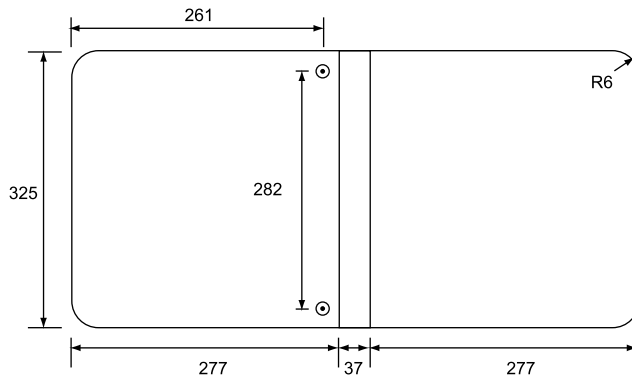
- KIT = Kit resistors (with resistors)
- KON = Album only (no resistors)
- KIL = Index only (no resistors)
- KIN = Insert only (no resistors)
- KIC = Insert and Album, Cover lid, (No resistors)

Tolerance:

- F = ±1%
- J = ±5%

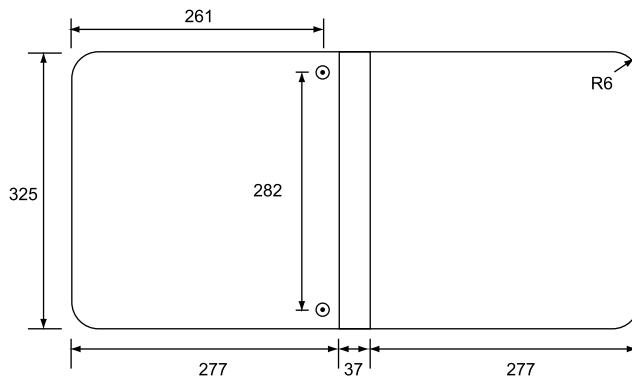
Chip Type

Album Kit Dimension

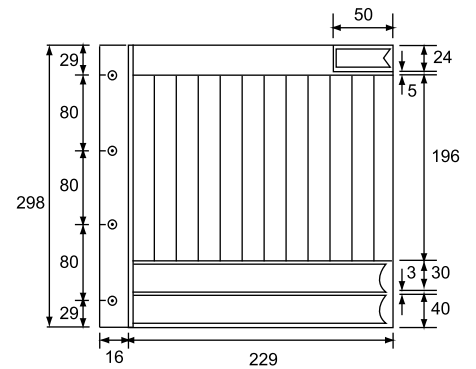


Coated Type

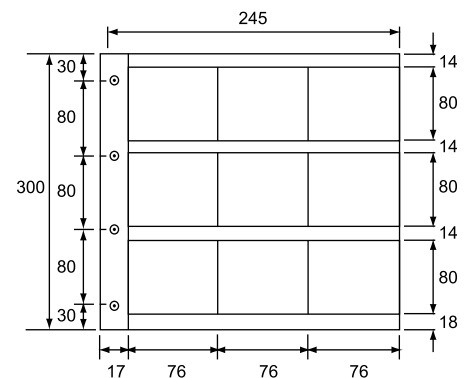
Album Kit Dimension



Inserts for Chip Kit



Inserts for Coated Kit



Sample:

- 1.) SMD Kit 1/16W (0603) 1% E-6 Series-0603WGFE006KIT
- 2.) Album only Kit 1/16W (0603) 1% E-6 Series-0603WGFE006KON (no chip resistors)
- 3.) Chip Kit Standard : E-6 : 32 values
E-12 : 62 values
E-24 : 121 values

