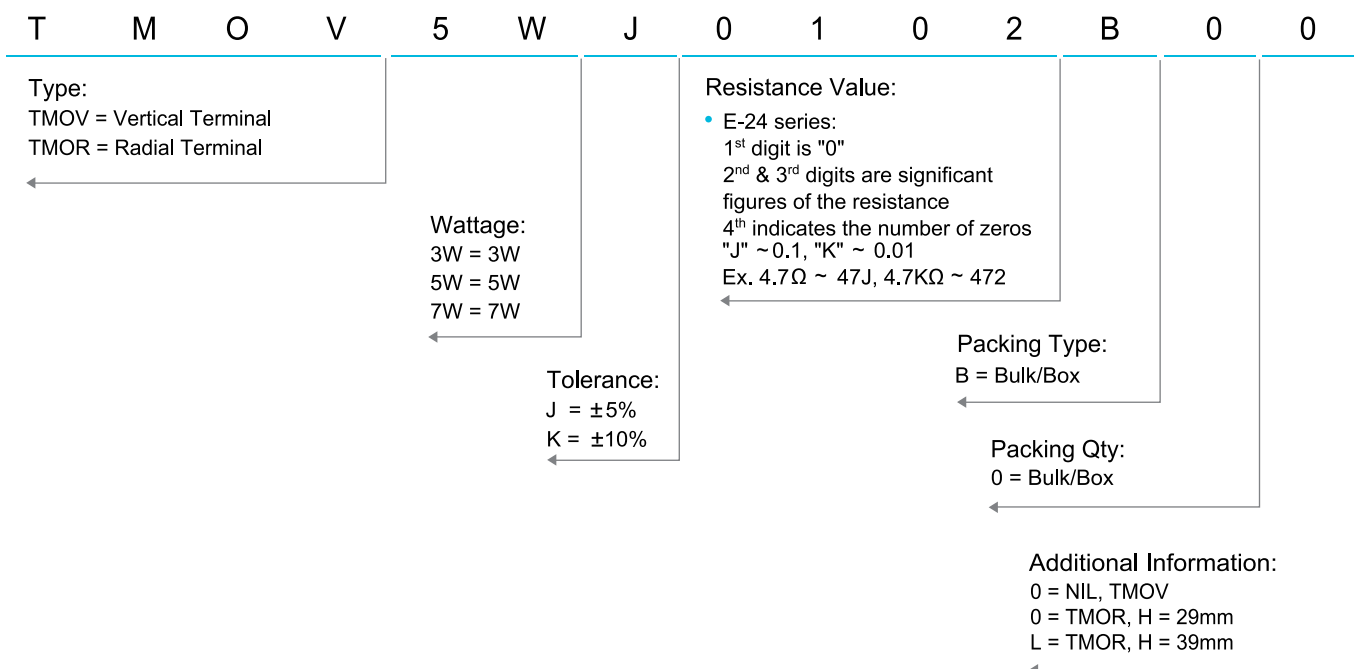


Terminal Type of Metal Oxide Film Fixed Resistors

Performance Specification

Temperature Coefficient	<20Ω: ±400PPM/°C; ≥20Ω: ±350PPM/°C
Short Time Overload	±(2.0% + 0.05Ω)Max, with no evidence of mechanical damage.
Dielectric Withstanding Voltage	No evidence of flashover, mechanical damage, arcing or insulation breakdown.
Pulse Overload	±(5.0% + 0.05Ω)Max, with no evidence of mechanical damage.
Terminal Strength	No evidence of mechanical damage.
Resistance to Soldering Heat	±(1.0% + 0.05Ω)Max, with no evidence of mechanical damage.
Solderability	Min. 95% coverage.
Resistance to Solvent	No deterioration of protective coating and markings.
Temperature Cycling	±(2.0% + 0.05Ω)Max, with no evidence of mechanical damage.
Humidity (Steady state)	±(2.0% + 0.05Ω)Max, with no evidence of mechanical damage.
Load Life in Humidity	±(5.0% + 0.05Ω)Max
Load Life	±(5.0% + 0.05Ω)Max
Non-Flame	No evidence of flaming or arcing.

Ordering Procedure: Ex.: TMOV 5W, +/-5%, 1KΩ, B/B



Terminal Type of Metal Oxide Film Fixed Resistors

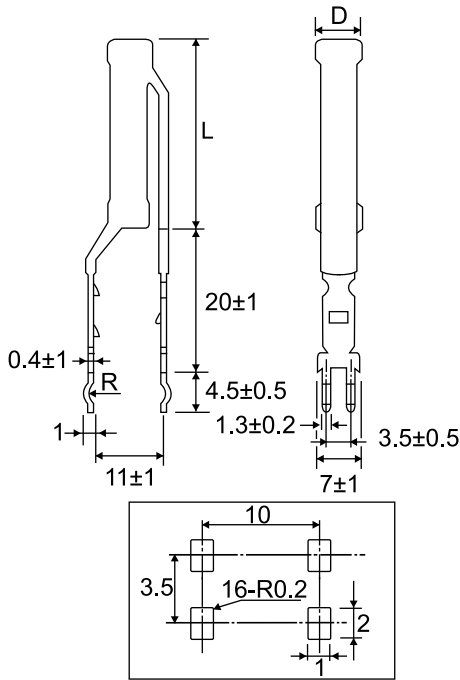
Features

- High safety standard
- High purity ceramic core
- Excellent non-flame coating
- Meet EIAJ-RC2655A requirements
- Stable performance in diverse environment
- Too low or too high ohmic value can be supplied on a case to case basis



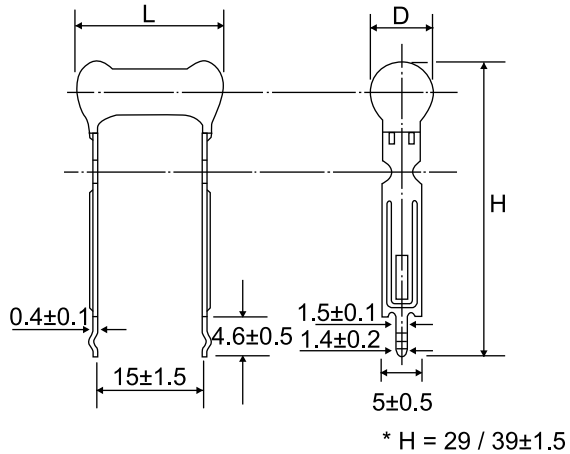
Standard : 5% ,10% -- E - 24 series

Vertical Type



*Mounting hole dimensions on P.C.B (Reference)

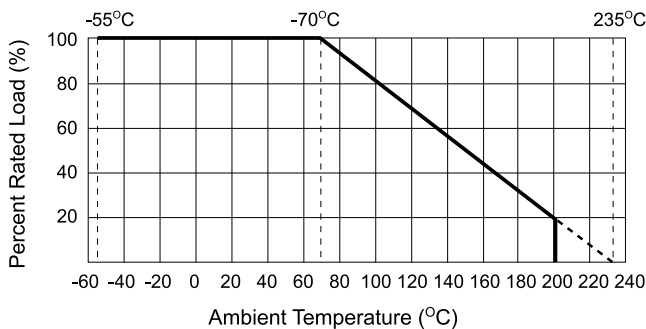
Radial Type



*Mounting hole dimensions on P.C.B (Reference)

Part No.	Style	Power Rating at 70°C	Dimension (mm)		Max Working Voltage	Max Overload Voltage	Max Pulse Overload Voltage	Resistance Range	Tolerance %
			D±1	L±1					
TMOV5W	TMOV 500	5W	7	20	500V	800V	1,500V	≤ 10Ω	±10%
								10Ω~10KΩ	±5%
TMOV7W	TMOV 700	7W	7	30	500V	800V	1,500V	≤ 10Ω	±10%
								10Ω~10KΩ	±5%
TMOR3W	TMOR 300	3W	6	16	350V	600V	1,000V	≤ 10Ω	±10%
								10Ω~43KΩ	±5%
TMOR5W	TMOR 500	5W	7	18	500V	800V	1,500V	≤ 10Ω	±10%
								10Ω~43KΩ	±5%

Derating Curve



Heat Rise Chart

